

RH 690



THE SENATOR MEASURE

At Senator we measure the true length of the boat, we don't include the overhangs to make our boats seem longer than they are = more boat for your buck.

Overall length

7.13m

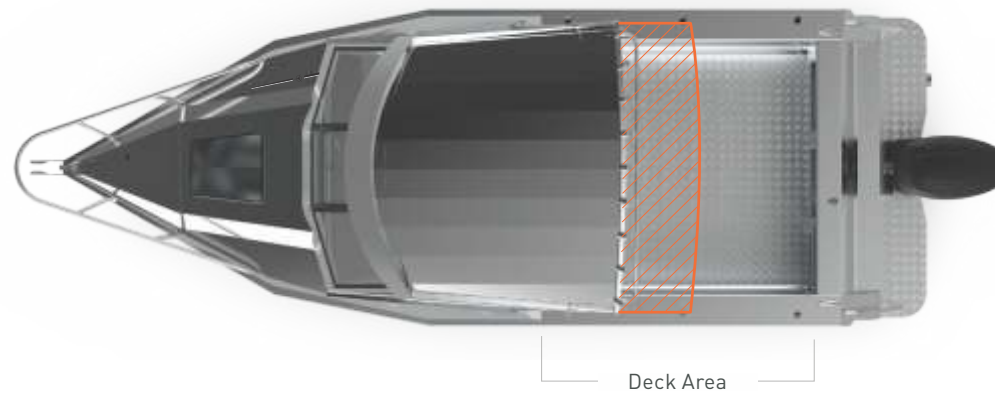
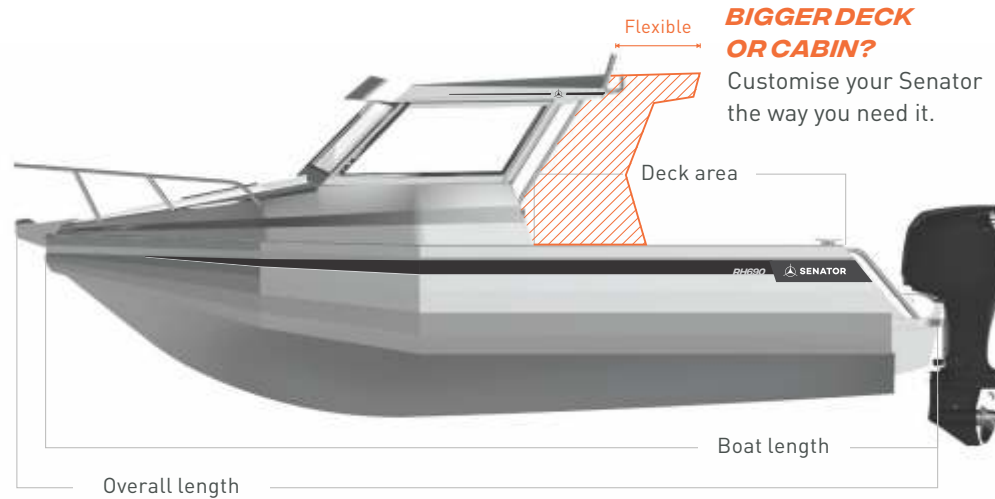
Boat length

6.93m

Deck Area

4.60m²

(Width 2.00m x Length 2.30m)



/ SPECS

Beam external	2.49m	Transom dead rise	18°	Approx towing weight	from 2000kg
Beam internal	1.99m	Transom	635mm	Max HP	325hp
Pontoon thickness	3mm	Height on trailer	3m	Standard fuel tank	315Ltrs
Hull thickness	6mm	Length on trailer	8.7m		
Treadplate floor	4mm	Width on trailer	2.50m		

RH 690



/ STANDARD FEATURES

Everything you need – nothing you don't.

- ✓ 5 year warranty on hull
- ✓ Anchor locker
- ✓ Auto capstan ready
- ✓ BEP 6 way panel/loom and fuses
- ✓ Bilge pump
- ✓ Bollard & cleats
- ✓ Bow rail - hard top style
- ✓ Cabin hatch
- ✓ Deck wash pickup
- ✓ Enclosed rear transom with hatches
- ✓ Fairlead & roller
- ✓ Fish bin under floor
- ✓ Flush single rung Ladder with grab rails
- ✓ Forward cabin bunks & squabs
- ✓ Fuel tank under floor with sender
- ✓ Fully lined cabin & hardtop
- ✓ Gunwale drink holder x4
- ✓ Heavy duty, non feedback steering
- ✓ LED navigation & anchor lights
- ✓ Marine grade alloy plate
- ✓ Rocket launcher
- ✓ Rod holders x 6
- ✓ Second shelf in pontoons
- ✓ Transducer mount plate
- ✓ Trim Tabs mount plate
- ✓ Twin duckboards
- ✓ U-Dek® walk around
- ✓ Variety of grab rails

/ SEATING

Skipper's chair arrangement.

- ✓ King & queen seats x2
- ✓ 1500 seat and squab set x2

/ SAFETY

Have fun out there – then get home safe.

- ✓ Built to survey standards
- ✓ Reserve Buoyancy
- ✓ 5 x Pressure tested and sealed Buoyancy chambers
- ✓ Senator fuel breather system
- ✓ LED Navigation Lights & anchor light
- ✓ Tinted safety glass
- ✓ Grab rails on rear of cabin
- ✓ U-Dek® walk around

/ POPULAR OPTIONS

Exterior

- + 2-rung boarding ladder
- + Transom Cage
- + Bait board typhoon style incl. rod holders, plastic insert, under drawer, on slide mounts
- + Bow rail (1020 style)
- + Full bump rail
- + Burley pot & chopper
- + Clear glass option
- + Handrail on rear of roof (behind rocket launcher)
- + Handrails on inside of roof (can be extended to roof edge)
- + Hydraulic Steering Upgrade
- + Bow ladder – fold down. Used in conjunction with 1020 bow rail if required
- + Central Bait Station
- + Hull plate upgrade to 8mm
- + Lift off cray boom (mounted on top of chamber, swinging against cabin) inc winch mount
- + Radar wing with through rod holders
- + Rod holders, additional, in chamber
- + Lightbar mount on roof
- + Towpoint on rear of hardtop
- + Twin tuna tubes built into transom
- + Extended duckboards
- + Bunk infill with / without extension
- + Walk through transom (port or starboard)
- + Generous sized live bait tank under walk through transom
- + Game pole plates

Interior

- + Cloth upholstery upgrade
- + Upgrade to larger 3000 seats or bolster
- + Deluxe (rolled) upholstery upgrade for King/Queen seats with/without chilly bin storage
- + Fully weld K/Q to deck with hatch (for dry storage)
- + Lock up cabin
- + Clip-on box queen seat for std pedestal include squab [each]
- + Sliding window assembly upgrade
- + Toilet, flushing or chemical
- + Twin internal hand rails

RH 690



/ DESIGNED OPTIONS

GET EXACTLY THE BOAT YOU WANT

Senator boaties all have different needs. Our designed options give you the choice to keep it real simple, or pimp your Senator to the max.

SELECTABLE FEATURES IN:

- ✓ Foreward Deck
- ✓ Cabin Size
- ✓ Roof Size
- ✓ Inside Cabin Area
- ✓ Deck Features
- ✓ Transom Styles
- ✓ Duckboard Lengths
- ✓ Hull Upgrades
- ✓ Boat Covers
- ✓ Graphics & Wrap

**+ OVER 100 MORE
OPTIONS AVAILABLE,
JUST TALK TO US!**

