

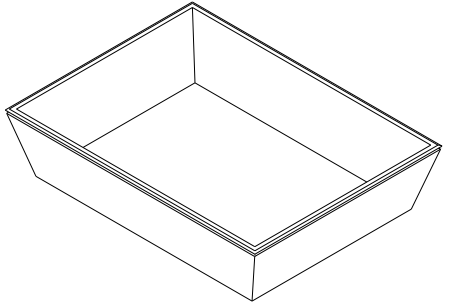
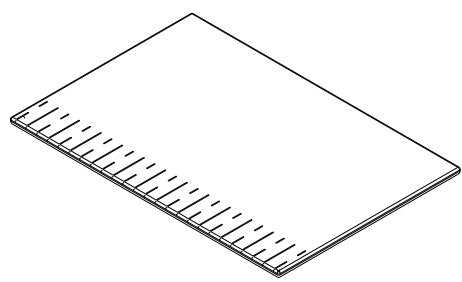
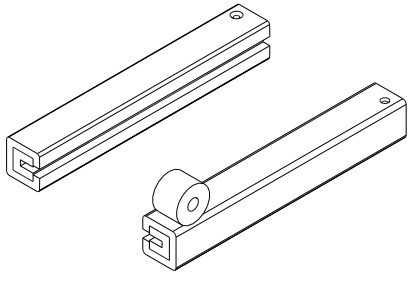


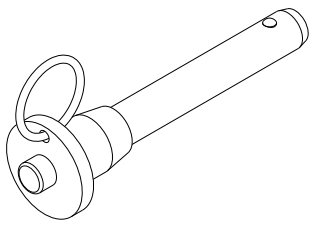
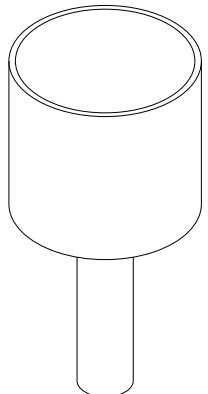
**SENATOR**

***BAIT BOARD SELECTION***

<b><i>HARDWARE</i></b>	<b>3</b>
<b><i>SKI HOOP BAIT BOARD</i></b>	<b>4</b>
<b><i>TYPHOON STYLE BAIT BOARD</i></b>	<b>5-6</b>
<b><i>REMOVABLE TRANSOM CAGE BAIT BOARD</i></b>	<b>7</b>
<b><i>CENTRAL BAIT STATION</i></b>	<b>8</b>

***PLEASE NOTE: TO ACHIEVE SENATORS CONTINUOUS IMPROVEMENT PROGRAM  
DESIGNS AND THIS DOCUMENT MAY BE SUBJECT TO CHANGE.***

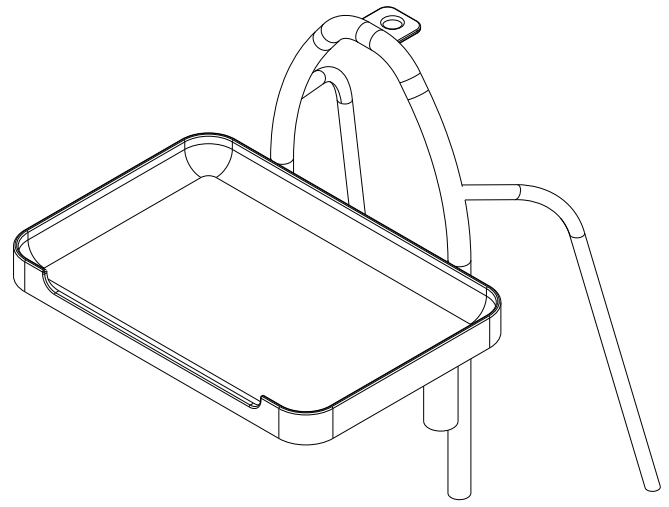
<p>Plastic drawer comes standard under typhoon bait boards</p>	
<p>Plastic cutting board with number scale standard with typhoon bait boards</p>	
<p>Sliders with locking pin</p>	

<p>Slide locking pin</p>	
<p>Drink Holder Upgrade</p>	

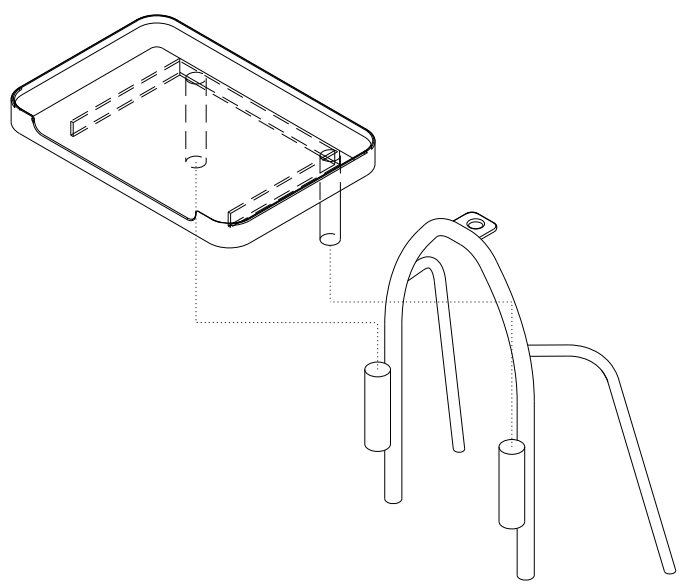
**/ 450 - 650**

**SKI HOOP WITH REMOVABLE BAIT BOARD**

**STANDARD**



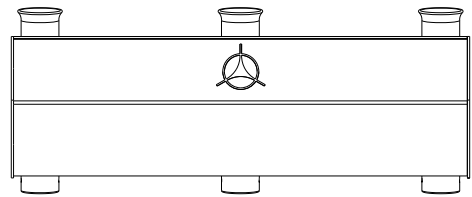
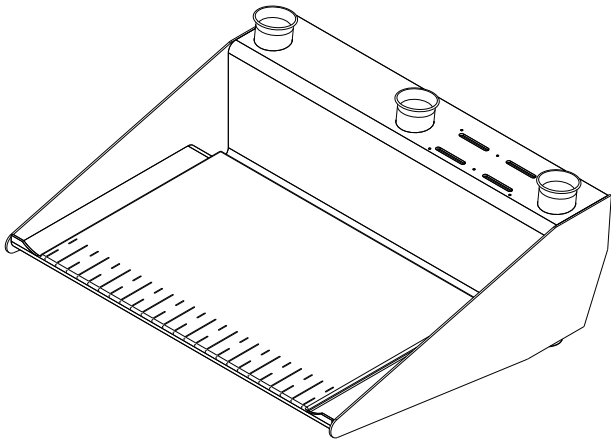
**SIZE: L - 570MM X W - 390MM**



**/ 450 - 580**

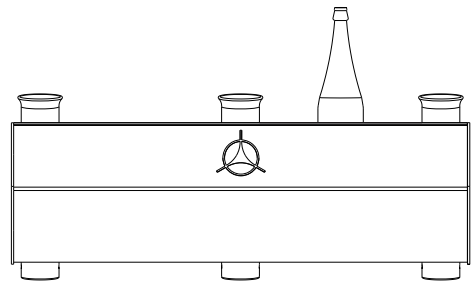
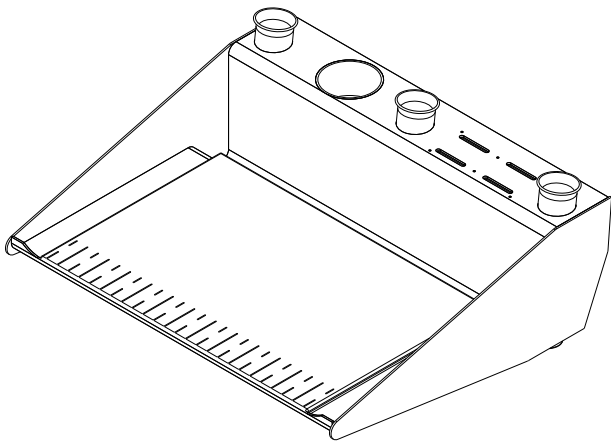
**TYPHOON BAIT BOARD**

**STANDARD - SMALL**



**SIZE: L - 600MM X W - 500MM**

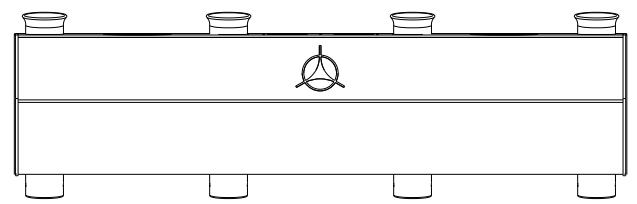
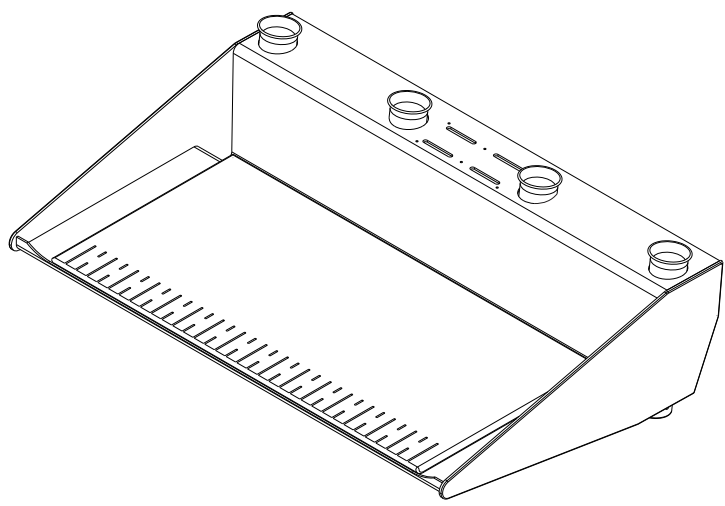
**+ DRINK HOLDER**



**/ 620 - 770+**

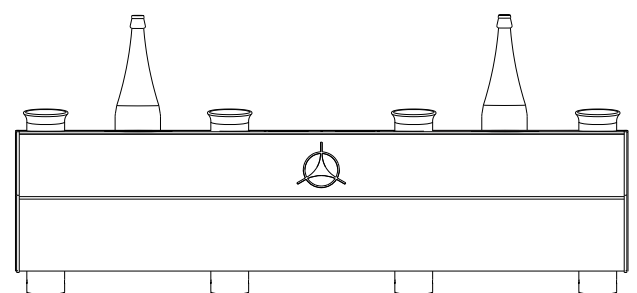
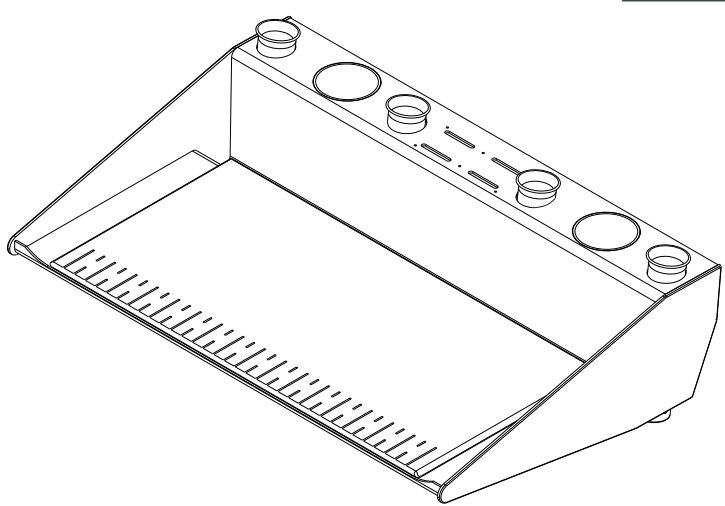
**TYPHOON BAIT BOARD**

**STANDARD - LARGE**



**SIZE: L - 800MM X W - 500MM**

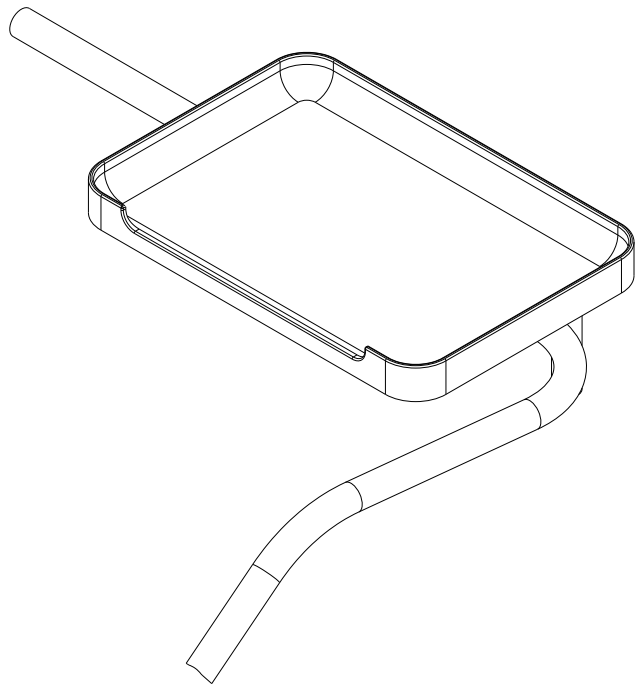
**+ DRINK HOLDERS**



**/ 580 -770+**

**REMOVABLE TRANSOM CAGE BAIT BOARD**

**STANDARD**



**SIZE: L - 570MM X W - 390MM**

**/ TYPHOON - RH 770+**

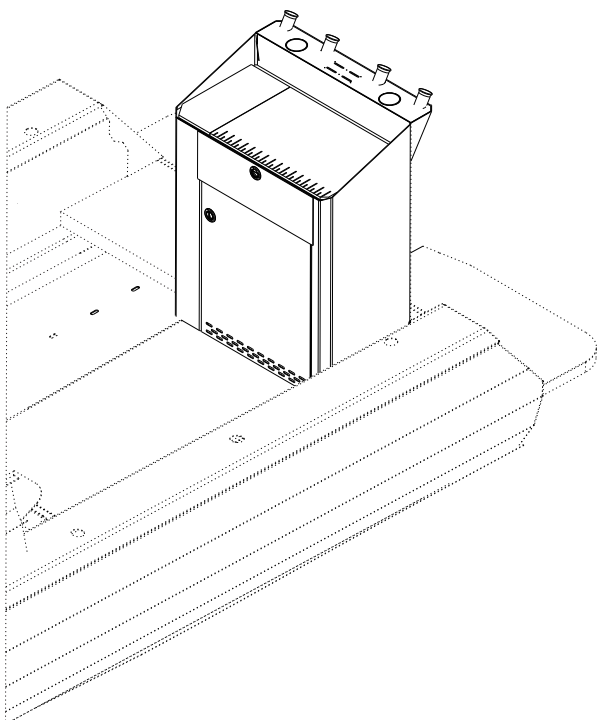
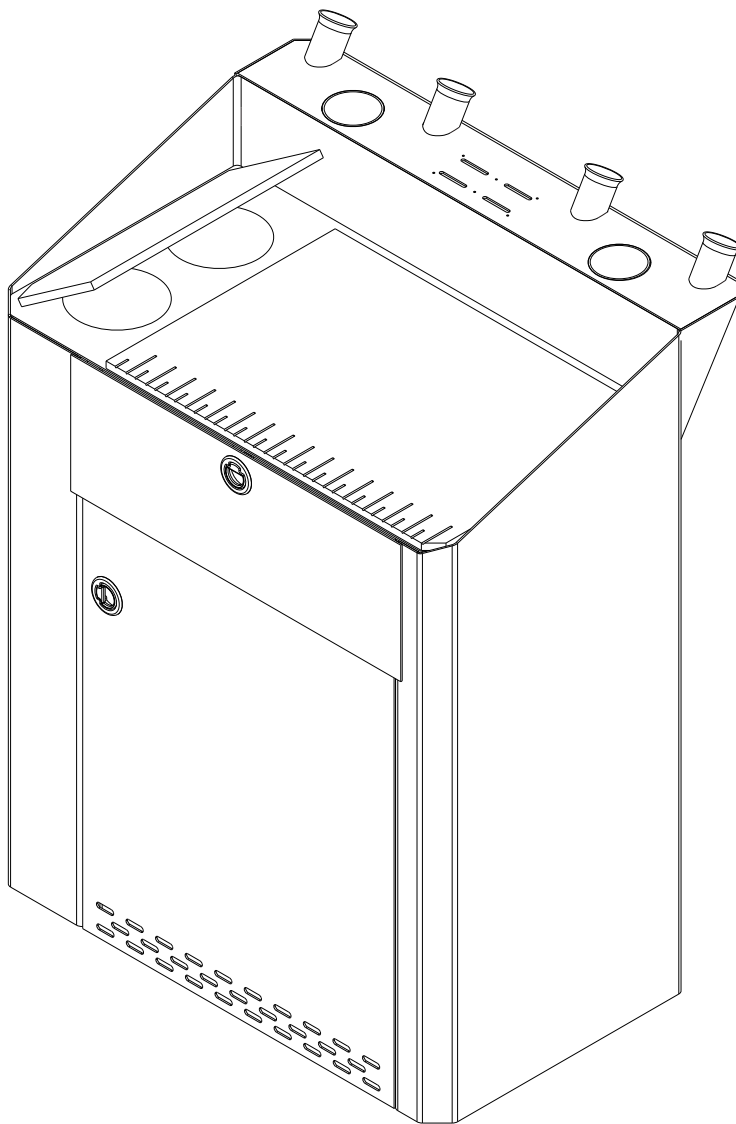
**CENTRAL BAIT STATION**

**THE BAIT STATION IS FOR THE SERIOUS FISHER, ONLY COMPATIBLE WITH THE TYPHOON OR RH 770+ MODELS.**

**CAREFUL CONSIDERATION NEEDS TO BE MADE WHEN SELECTING A BAIT STATION AS TWIN WALK THROUGH BECOMES THE ONLY TRANSOM OPTION.**

**CONFIGURABLE FEATURES**

- + TUNA TUBES**
- + CUP HOLDERS**
- + PULL OUT DRAWER**
- + KILL TANK**
- + KNIFE SLOTS**
- + LIVE BAIT TANK**
- + DUAL DEEP DRAWERS**





# RULE THE SEA



## **CUSTOM OPTIONS** Get exactly the boat you want

We know that every boatie has different needs. That's why a standard Senator comes with all of the 'must-haves' to ensure the utmost safety and usability. Then we put you in control of the 'nice-to-haves' that will make the boat just right for YOU.



## **GREAT RIDING** The legendary Senator ride

Let's face it, New Zealand can throw some ugly conditions our way. That's why when we design and build our boats, comfort is king. With higher cabin heights and stable great-riding hulls, you'll always feel safe and secure in a Senator.



## **BIGGER DECK** Bigger is always better

Every inch matters at the business end of your boat. Over the decades we've refined our decks to be the biggest in class, offering you and your mates the ultimate play area to do what you love.



## **BUILT TO SURVEY STANDARDS** Unparalleled buoyancy

Senator's construction standards have been developed through close partnership between our design and build team and of course - boaties just like you. The Senator Standard has become New Zealand's benchmark in pontoon boatbuilding.



## **100% KIWI MADE** Built by boaties, for boaties

We bring together a 'best-of-breed' design, boat building and finishing team. This gives Senator confidence that their boat is built by people who understand their needs. Senator is always listening, so if you have any ideas about how we can improve our designs to lead to a better day out on the water, we're all ears!



## **TRUE MEASURES** More boat for your buck

When comparing boats, look at the real measure. At Senator we measure the true length of the boat, we don't include the overhangs to make our boats seem longer than they are. More boat for your buck!

### **SENATOR HQ**

0800 736 286  
21 Hamilton Place,  
Onekawa, Napier 4110  
New Zealand

### **GET IN TOUCH WITH YOUR NEAREST DEALER**

**Whangarei** Warren Hay Marine, 09 430 2666 **Auckland** Auckland Marine Centre, 09 271 1575  
**Hamilton** Rollos Marine, 0800 804 809 **Gisborne** Harbourview Marine, 06 868 8686  
**Hawke's Bay** Hawke's Bay Marine, 06 843 5001 **Kapiti Coast** Boat City Paraparamu, 04 298 5931  
**Nelson** Haven Pleasure Boats, 03 548 5864 **Christchurch** Mr Boats, 03 384 2726  
**Timaru** Mr Boats, 03 684 4107